

IDMA Network Connectivity with Coordinated Relaying Beamforming

*Minakshi Kaushik**

ABSTRACT

This study proposes a new method of achieving geographic variety using cooperative relays in conjunction with IDMA to produce dispersed beams. Throughput in wireless networks is something that can perhaps be improved with this combo. The suggested concept requires a two-pronged approach to communication. Initially, users would communicate their information to relaying, that will amplify the data and deliver it to the desired place. IDMA is a well-known NOMA technique that may reduce the effects of MAI at both relay and end nodes. This interference might happen at any of these two nodes. To maintain the final destination's QoS, the signal was processed carefully at each relay. This research tries to find the optimal beam formation weights by minimizing transmit power while keeping quality (as assessed by signal-to-noise ratio) high (SINR). However, the power minimization problem is not a convex one, thus semi-definite relaxation is used to transform it into a semi-definite programming (SDP) challenge, which may then be solved using the standard SDP problem solver CVX. The mathematical analysis and simulation experiment of the proposed technique show that performance may be enhanced as determined by the bit error rate.

Keywords: *Coordinated Relay Beamforming; IDMA; QOS; Semidefinite Programming.*

1.0 Introduction

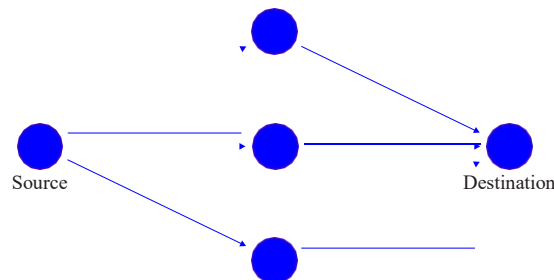
Two important limitations in wireless communication systems are congestion and signal withering. Both may have a detrimental influence on the quality and dependability of wireless transmission. Diversification is a common method for overcoming vulnerability to fading. Spatial diversity, which makes use of many antennas, is one of the most common methods used in information transfer to improve connection stability, throughput, and spectrum efficiency. However, the use of spatial multiplexing is impractical in certain wireless networks, including mobile communication (IDMA), because of the size of the devices involved. The idea of cooperative communication may provide a workable answer to this issue. With cooperative communication, each node sends its own data while simultaneously serving as a relay for other users. To connect all of the sources to their final destinations, the relay nodes in this network must work together, thus the term "cooperative relay networks" [1–2]. This relaying network is widely used to handle multipath fading scenarios due to its ease of use, adequate performance, and the ability to extend the usable range by using many hops [3, 4].

*Researcher, Tallinn University of Technology, Estonia, Europe (E-mail: minakshi.kaushik@taltech.ee)

The nodes in a relay network exhibit a design that uses a transmission and receiving beamformer to carry the signal strength from each origin to its destination network. In Fig. 1 we see the fundamental node design of a cooperative relay network. Decode and forward (DF), amplification and forward (AF), compress and forward (CF), and cooperative collaboration are only a few of the relay protocols that have been developed based on their relaying capabilities. Multiple access interfering (MAI) may affect network performance [3–8], especially if there are a lot of signal sources or relay nodes. Furthermore, in most relay networks, the channel access techniques are orthogonal, which results in excess rate loss for a given number of users or relay nodes, and inadequate use of time and frequency resources.

Interleave division multiple access (IDMA), a variant of the code division multiple access (CDMA) technology, makes better use of both the available time and frequency bandwidth. In addition, it has been suggested for usage in 5G communication as a NOMA (non-orthogonal multiple-access) technique that uses a shared coding domain. Academics have paid a lot of effort to studying collaboration in the CDMA scheme. The study [10] describes asynchronous cooperative CDMA and evaluates its performance with regard to the likelihood of outages. It should also be noted that [xx] provides a discussion of the MIMO cooperative CDMA. However, prior study has shown that IDMA is superior than CDMA and a large NOMA scheme. In order to boost the system’s efficiency, this study employs IDMA’s benefits and the cooperation of relays [9–12].

Figure 1: Cooperative Relay Networks’ Basic Design

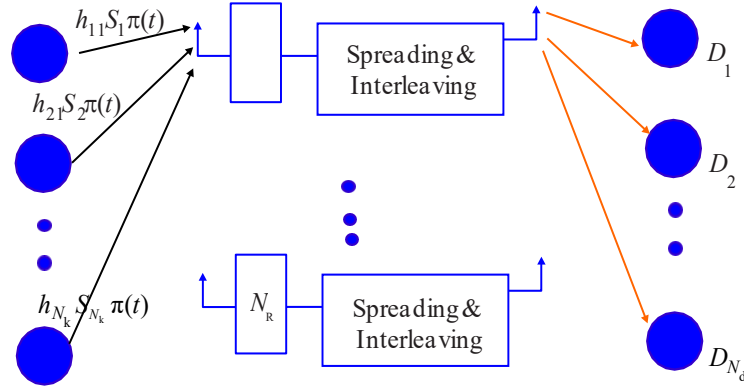


2.0 Framework for System Modeling

A wirelessly relaying system is assumed to include N_k sources, N_i relays, and N_d destination nodes. Due to factors including route loss and severe shadowing, it is often impossible for two nodes to establish a direct connection, even when using a single channel at both ends. After the data has been distributed and interleaved, it is transferred from the source node to the relays, which are AF relays, and from there it is amplified and sent on to the destination address [4, 5] and [13–16]. At the l th relay in a terms of timing, the received signal is defined as

$$X_l(t) = \sum_{k=1}^{N_k} h_k l S_k \Pi_k(t) + n_i(t) \quad \dots(1)$$

For each given pair of sources and relays, we have a complex channel coefficient h_{kl} where S_k is the source signal with transmit power $E|S_k|^2$. If λ_c is the spread coefficient and user particular ran- document object model interleaver is employed at the source, the $\Pi_k(t)$ may be stated as [9, 13, 18–20].

Figure 2: IDMA Networks for Cooperative Relay Communication


IDMA is one solution for uplink channels with many users. As can be seen in Fig. 1, the system has K sources, M relays, and a destination. Assuming each terminal only has a single antenna, and that the relays are connected to the final destination through a perfectly quiet route, the relays will just serve to amplify the received signals.

After the first step, the signal received at the destination may be expressed as

$$r_m(j) = \sum_{k=1}^K h_{S_k R_m} x_k(j) + n_m(t) \quad \dots (2)$$

In this case, the channel coefficient between the k th source and the m th relay ($h_{S_k R_m}$) is a random variable, and $n_m(j)$ is a sample of an AWGN processes with zero mean and variance σ_n^2 per dimension.

3.0 Optimal Relay Beamforming

The goal of this subsection is to build a relay structure and processes by reducing the power transfer from relays in an IDMA network [4, 18–25], all the while ensuring that the signal-to-noise ratio (SNR), which is a measure of QoS, remains above a threshold value. The optimization problem may therefore be expressed as

$$\min \text{PRT} \text{ st } \Gamma_k \geq \phi_{\text{th}} \quad \dots (3)$$

As shown above, the relay precoding matrix optimization process is already quite nonconvex (with the source precoding matrix held constant). An additional auxiliary vector vector has been used to provide yet another alternate optimization for this process. The the sum-rate maximizing or sum MMSE minimization under the sum-power constraints is recast as an unconstrained optimization involving highly nonlinear functions and is then applied using the gradient technique. This is conducted by first bringing the powers produced by the origin and relay back to normal.

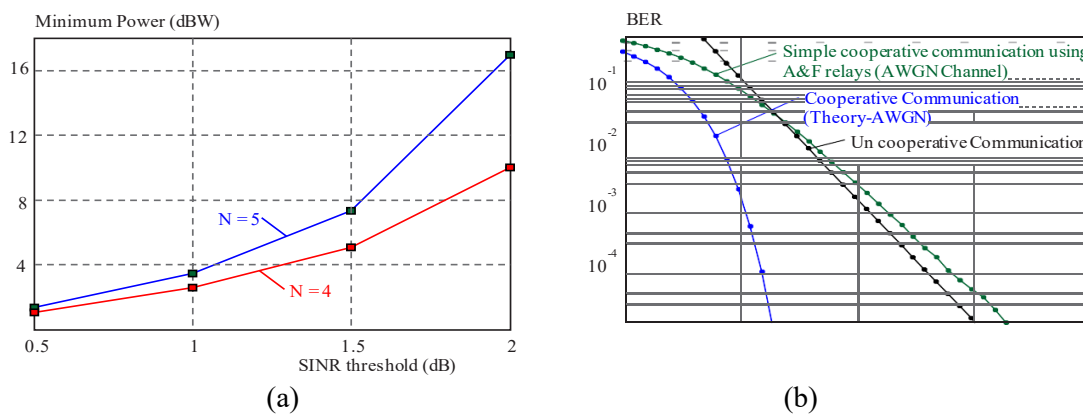
4.0 Simulation Results

The efficiency of the proposed strategy is shown by numerical examples. For the sake of the experiments, the noise strength at the relay and target nodes has been fixed at 0 dB W. Similarly to this, the thresholds SINR at each node is considered to be $k = 1, 2, 3$, and so on; more precisely, the noise figure at relay and destination nodes is taken to be the same. ie σ^2 . The network parameters at the relays and target nodes are known in the first modeled experiment. Spreading parameter $SL = 4$ and the final destination nodes. For IDMA networks, a random interleaving technique is utilized. Figure 3 depicts the least relay power in relation to the required SINR threshold and exhibits the

simulation result for $N = 4, 5$ (number of relays) (number of relays). The simulation experiment made it obvious that the minimal power required grows as the source increases, and therefore adding additional sources or destinations decreases the rank one solution.

The contrast between a cooperation and a disagreeable communication method has been offered in the subsequent simulation experiment, as depicted in Fig. 4. Results demonstrate that the BER performance of the system utilising cooperative communication is slightly better or near to the theoretical performance of the uncooperative scheme when the data length 105 and AWGN channel are taken into consideration. The recommended scheme's symbol error rate performance is demonstrated in Fig. 5 of the simulation experiment that follows. It can be concluded that for a component comprises relay transmit power, the BER is minimized as SINR grows when the QPSK modulation and data length 105 are applied. There is a total of 20 dB of noise power in play here, 10 dB in the uplink (from the origin to the relay) and 10 dB in the downstream (from the relay to the destination).

Figure 3: (a) Normalized Average Minimum Relay Transmit Power versus SINR Threshold γ , for Different Values of n , $\sigma^2 = 10$ dB, (b) BER versus SINR (db) for Cooperative and Uncooperative Communication Scheme with Noise Power $\sigma^2 = 10$ dB



5.0 Conclusion

A innovative strategy of bittorrent communications and beamforming weighting is obtained utilizing IDMA network. In addition, the challenge of minimizing the power used by relays has been described as a problem of optimization. Information is sent from the relay to the target node using the smallest amount of electricity possible. Bit error rate simulation results have definitively shown the superiority of the suggested approach over the alternative. Inside this work all relays including destination node contains one antenna frame work. However MIMO framework model and attainable rate assessment of the suggested method might be treated as future work.

References

- [1] F.-D. Siavash and S. Shahbazpanahi, "Multiple Peer-to-Peer Communications using a Network of Relays", *IEEE Transactions on Signal Processing* vol. 57, no. 8, 2009, pp. 3053–3062.

- [2] W.-K. Ma, T. N. Davidson, K. M. Wong, Z.-Q. Luo and P.-C. Ching, “Quasi-Maximum-Likelihood Multiuser Detection using Semi-Definite Relaxation with Application to Synchronous CDMA”, *IEEE Trans. Signal Processing* vol. 50, no. 4, 2002, pp. 912–922.
- [3] J. N. Laneman, D. N. Tse and G. W. Wornell, “Cooperative Diversity Wireless Networks: Efficient Protocols and Outage Behaviour”, *IEEE Trans. Inf. Theory* vol. 50, no. 12, 2004, pp. 3062–3080.
- [4] L. Ping, L. Liu, K. Wu and W. K. Leung, “Interleave Division Multiple-Access”, *IEEE Transactions on Wireless Communications* vol. 5, no. 4, 2006, pp. 938–947.
- [5] A. Shukla, “Performance Analysis of Modified Tent Map Interleaver IDMA Systems”, *Journal of Electrical Engineering* vol. 68, no. 4, 2017, pp. 318–321.
- [6] E. Koyuncu and H. Jafarkhani, “Distributed Beamforming Wireless Multiuser Relay-Interference Networks with Quantized Feedback”, *IEEE Trans. Inf. Theory* vol. 58, no. 7, 2012, pp. 4538–4576.
- [7] M. Mohammadi, Z. Mobini, M. Ardebilipour and B. Mahboobi, “Performance Analysis of Generic Amplify-and-Forward Cooperative Networks over Asymmetric Fading Channels”, *Wireless Personal. Communication*, vol. 72 no. 1, 2013, pp. 49–70.
- [8] L. Lei, Y. Li and Y. Su, “Quantize-and-Forward Strategy for Interleave-Division Multiple-Access Relay Channel”, *IEEE Transactions on Vehicular Technology* vol. 65, no. 3, 2016, pp. 1808–1814.
- [9] B. Mahboobi, M. Ardebilipour, A. Kalantari and E. Soleimani-Nasab, “Robust Cooperative Relay Beamforming”, *IEEE Wireless Commun. Letter* vol. 2, no. 4, 2013, pp. 399–402.
- [10] M. Behrad, S. Mehrizi and M. Ardebilipour, “Multicast Relay Beamforming CDMA Networks: Nonregenerative Approach”, *IEEE Communications Letters* vol. 19, no. 8, 2015, pp. 1418–1421.
- [11] Y. Jing and H. Jafarkhani, “Network Beamforming using Relays with Perfect Channel Information”, *IEEE Trans. Inf. Theory* vol. 55, no. 6, 2009, pp. 2499–2517.
- [12] Y. Zhao and R. Adve, “Improving Amplify-and-Forward Relay Networks: Optimal Power Allocation Versus Selection”, *Proc. IEEE Int. Symp. Inf. Theory* Seattle, WA, 2006, pp. 1234–1238.
- [13] K. Vardhe, D. Reynolds and M. C. Valenti, “The Performance of Multiuser Cooperative Diversity an Asynchronous CDMA Uplink”, *IEEE Trans. Wireless Commun.* vol. 7, no. 5, 2008, pp. 1930–1940.
- [14] S. Fazeli-Dehkordy, S. Shahbazpanahi and S. Gazor, “Multiple Peer-to Peer Communications using a Network of Relays”, *IEEE Trans. Signal Process.* vol. 57, no. 8, 2009, pp. 3053–3062.

- [15] N. Bornhorst, M. Pesavento and A. Gershman, “Distributed Beamforming for Multi-Group Multicasting Relay Networks”, *IEEE Trans. Signal Process.* vol. 60, no. 1, 2012, pp. 221–232.
- [16] M. Schubert and H. Boche, “Iterative Multiuser Uplink and Downlink Beamforming under SINR Constraints”, *IEEE Trans. Signal Process.* vol. 53, no. 7, 2005, pp. 2324–2334.
- [17] B. Mahboobi, E. Soleimani-Nasab and M. Ardebilipour, “Out- age Probability based Robust Distributed Beam-Forming Multi- User Cooperative Networks with Imperfect CSI”, *Wireless Pers. Commun.* vol. 77, no. 3, 2014, pp. 1629-1658.
- [18] D. Linglong, B. Wang, Y. Yuan, S. Han and I. Chih-Lin, “Non-Orthogonal Multiple Access for 5G: Solutions, Challenges, Opportunities, and Future Research Trends”, *IEEE Communications Magazine* vol. 53, no. 9, 2015, 74-81.
- [19] M. Schubert and H. Boche, “Iterative Multiuser Uplink and Downlink Beamforming under SINR Constraints”, *IEEE Trans. Signal Process.* vol. 53, no. 7, 2005, pp. 2324–2334.
- [20] V. Havary-Nassab, S. Shahbazpanahi, A. Grami and Q. Luo, “Distributed Beamforming for Relay Networks based on Sec- ond-Order Statistics of the Channel State Information”, *IEEE Trans. Signal Process.* vol. 56, no. 9, 2008, pp. 4306–4316.