

Modulation Control of Impedance Inverter for Constant Output

Nitendra Kumar Tiwari and Dharmendra Kumar Tiwari***

ABSTRACT

For solar energy conversion, an AC module that functions as a grid-connected inverter after a PV module is needed. ZSI is being used to alleviate a myriad of issues that VSI and CSI have. India has seen a notable increase in adoption of the renewable energy, Various policies and schemes had been proposed in India to focalize on renewable energy sector. The triggering pulses are generated by bringing the input sinusoidal and triangular waves on the same graph. Maximum boosted output can be achieved through this method just by adjusting its modulation index and shoot-through intervals. An impedance source inverter provided with triggering pulses generated by maximum constant boost control modulation technique is presented in this paper.

Keywords: *Inverter; Boosting; Switching; Transformer-less; Shoot-through States; Parametric Fluctuations.*

1.0 Introduction

For the generation of electricity utilizing solar power India was at 5th position in 2018, but after installing 7.3 GW additional solar power nationwide in 2019, India rose to third place. Various policies and schemes had been proposed in India to focalize on renewable energy sector as it is estimated that around 363GW power can be extracted from this sector [4]. India places a great deal of reliance on solar energy, which has caused it to concentrate in recent years on using green energy. India has seen a notable increase in adoption of the renewable energy, primarily solar energy, from 2016 to 2022. Just 6.7GW of India's TIC was devoted to solar energy in 2016, but today that number is closer to 56.95GW, or nearly nine times more [1], [2]. Table 1 displays the rise in the proportion of solar and renewable energy in India's total installed capacity. In the coming years, northern India might develop into a centre for renewable energy. MNRE had a goal of obtaining 175 GW from green energy sources by 2022, out of which 100 GW will come from solar energy [3]. Based on the newly revised data on 1st June 2022, India has its renewable energy share 166.72GW out of which 56.951GW is contributed by solar energy. The overall installed capacity of the power generation in India, as of 17 June 2022, was estimated to be around 402.817 GW, with renewable energy accounting for roughly 166 GW, or about 41 percent of total utility power generation [2], [5]. 56GW, or 14% of India's total power generation, comes from solar energy [6]. The Indian government has enhanced the nation's capacity for renewable energy in recent years by introducing a number of financial programmes like the UDAY scheme, the rooftop scheme, and the solar energy subsidy

**Corresponding author; PhD Scholar, Electronics & Instrumentation, NIT SILCHAR, India (E-mail: nitintiwari22@gmail.com)*

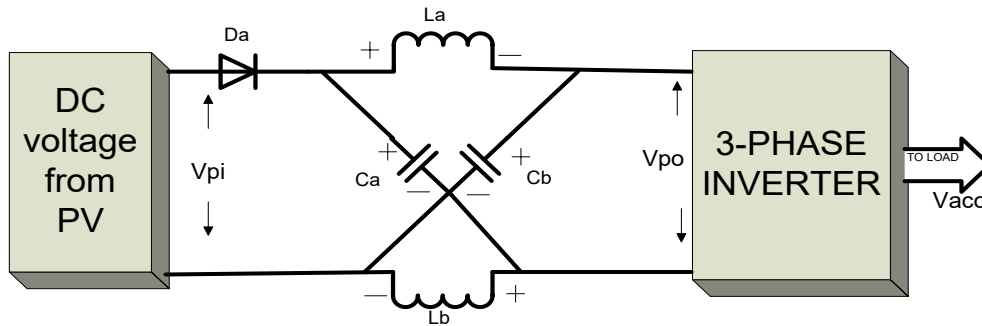
***PhD Scholar, Mechanical Engineering, United University, Ravatpur, Prayagraj, Uttar Pradesh, India (E-mail: dharmu.tiwari@gmail.com)*

scheme. The Government of India launched the National Sustainable Mission (NSM) as a significant project to promote ecological sustainability and address the country's energy security issues. Additionally, India's contribution to the global effort to address the concerns of changing climate would be significant.

Table 1: Table Showing Solar Scenario in India

Year	Total installed capacity of India (in GW)	Contribution of renewable energy (in GW)	Contribution of solar energy (in GW)
2019	364.96	83.37	31.69
2020	371	87.67	35.12
2021	391.56	150.4	42.128
2022	402.817	166.729	56.951

Figure 3: Impedance Source Inverter



PV systems' modular design makes it simple to boost installed power. In [8], [9], many layouts of an AC module have indeed been explored. The output of PV module which is mostly of lower range must be increased in able to link to the grid due to its inconsistent and fluctuating nature. To utilize the potential energy in solar AC block is needed that can function as an inverter which is directly connected to the grid, employed after the PV conversion structure. Transformers are therefore used to achieve this boosting intent, however transformer-less layouts are greatly favored since they offer excellent efficiency, relatively inexpensive, and easy fabrication [11]-[13].

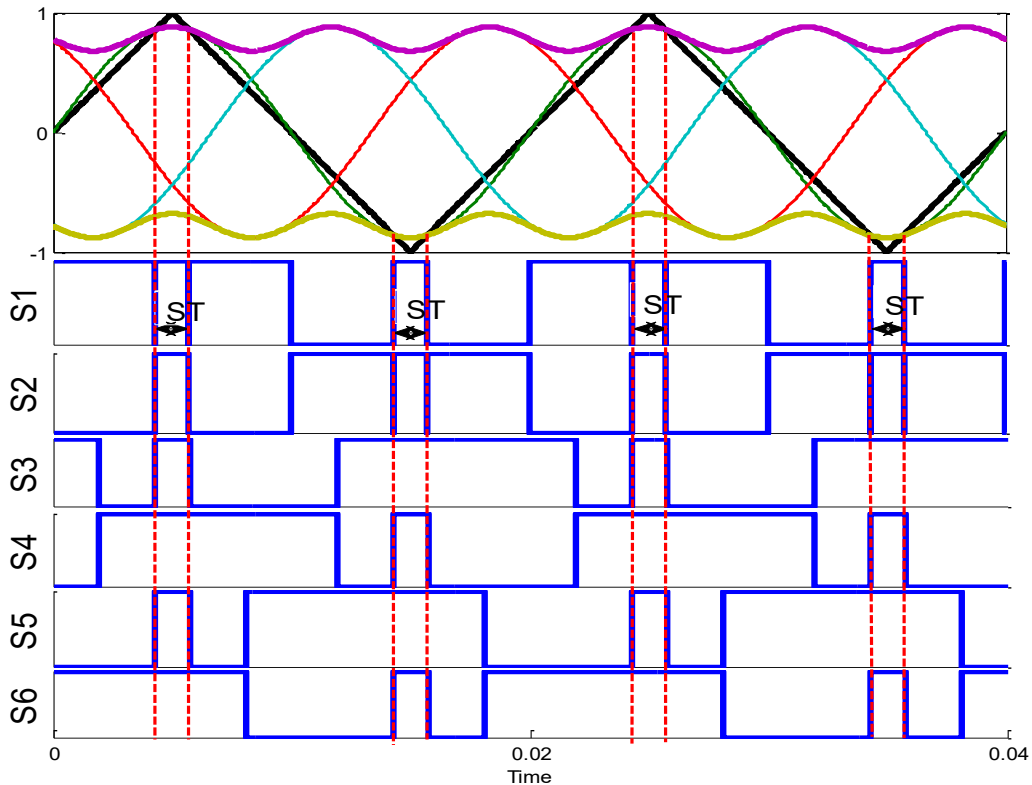
2.0 Transformer-less Arrangements

Transformer-less systems can also be subdivided into dual step and single step configurations. In a two-step layout, a PV module's low output is increased using DC-DC choppers before being inverted into AC for a three-phase load. By swapping the chopper or DC-DC boosting step with a straightforward 2-port network made of passive components, this layout is further optimized (L & C). Boosting and inversion can be accomplished via a Z-source inverter in a sole step. The constraints of traditional multi step layouts have been alleviated by ZSI. As demonstrated in Fig. 3, ZSI is being used to alleviate a myriad of issues that VSI and CSI have, such as the need for double-up and dead time to put off the concern of device malfunction and inductor getting disconnected as well as the restrictive output voltage range. It may be able to incorporate buck-boost capabilities without even employing a transformer. An impedance network is incorporated into the ZSI circuit layout to link with the circuit constituting inverter and the power supply in order to offer distinct features that are unavailable from standard CSI and VSI [14]. The impedance connection is made by an X-shaped

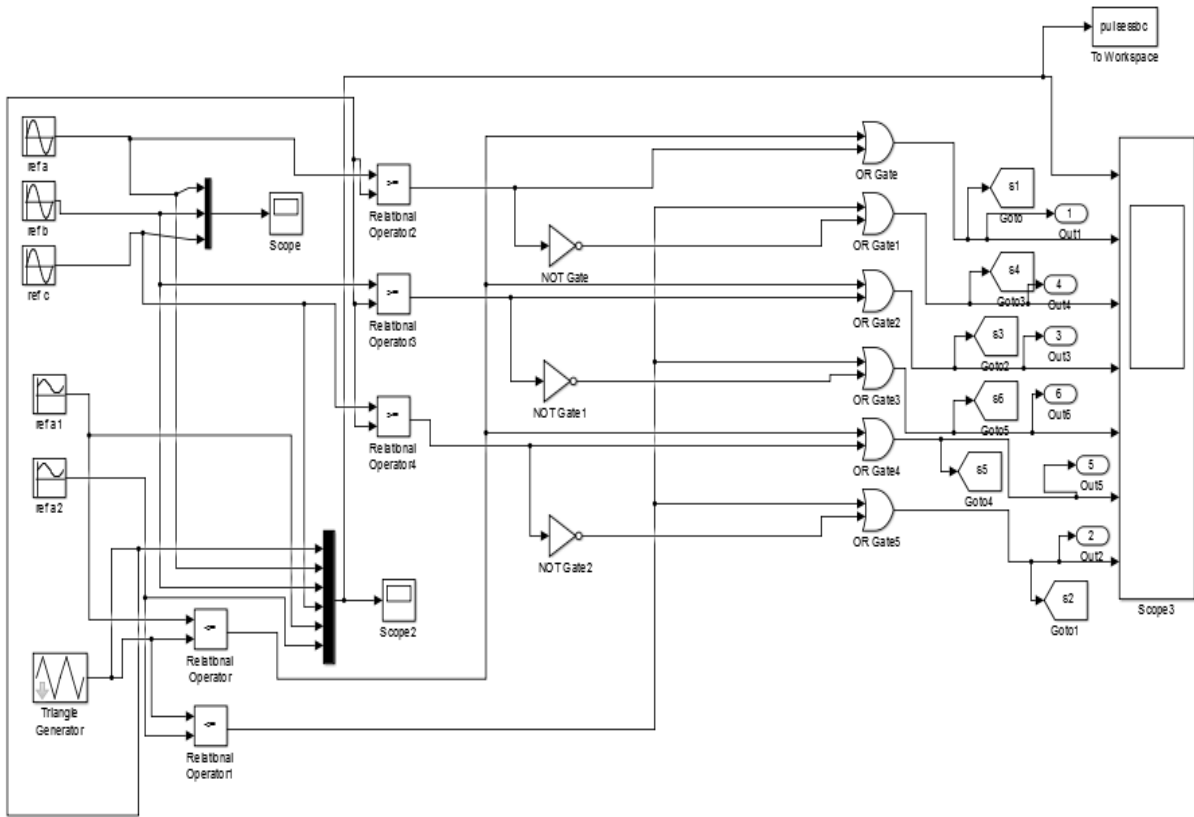
connection between two capacitors (C_N & C_T) and a split inductor (L_N & L_T). After this impedance network, a 3-phase inverter is used to change the increased Direct Current voltage to Alternating Current. A certain input DC voltage is fed to the inverter, and by manipulating the on/off switch time period of the switches of inverter, a regulated output AC voltage could be derived from this. For such approach, a triangular carrier signal of high frequency and a three-phase sinusoidal wave as modulating signal with a 120-degree phase shift are selected, and the time between the meeting sites of these signals determines the pulsing or turning on period of modulated pulses and commutation. Unusually, ZSI permits continuous conduction of an inverter phase leg, that is made to happen only and only possible by tweaking the duty-cycle (T_0/T), leading to enhanced AC output voltage. Typically, there are 8 switching states in commonly used VSI and CSI, with 6 of them being actively functional states and the other 2 being void function states where load terminals are shorted (0 V). The 0- shoot through (ST) state, when sustained conductivity via up and down switches in different inverter legs is carried on, is one of the ZSI's supplementary switching states. ZSI has nine switching states altogether. Buck and boost features are permitted in ZSI inside this zone [14].

ZSI consists of two components- ST & NST. Power is delivered without a cessation to the load by the input DC voltage source and inductors throughout NST (Non-Shoot Through) phase as a continuous pathway is offered by a forward biased diode. Additionally, capacitors were being charged concurrently.

Fig. PWM Pulses Generated



To prevent the circuit from harm caused by short circuiting of devices within the same leg, a detachment resulting from a reverse biased diode causes the DC input source to be disconnected from the load in ST condition. To ensure continuous transmission, the charged capacitors will now start transfer energy to maintain the continuity.

Figure 4.8: Matlab Model for CBC


3.0 Mathematics Included in ZSI

Mathematical equations can be used to illustrate how ZSI parameters are interdependent, with \hat{V}_{os} standing for the peak value of the DC link voltage, V_c for the voltage across the capacitor, and \hat{V}_{os} for the output AC peak phase voltage.

$$V_c = \frac{V_{is}}{1-D_z} \quad \dots(1)$$

$$\hat{V}_{os} = B_z \cdot V_{is} = \frac{V_{is}}{1-2D_z} \quad \dots(2)$$

$$\hat{V}_{os} = M_z \cdot \frac{\hat{V}_{os}}{2} = M_z \cdot B_z \cdot \frac{V_{is}}{2} \quad \dots(3)$$

$$B_z = \frac{1}{1-2D_z} \quad \dots(4)$$

$$G_z = B_z * M_z \quad \dots(4)$$

Where, B_z = boosting factor,

M_z = modulation index,

G_z = overall gain in ZSI

$D_z = \frac{T_{st}}{T_{sw}}$ is ST duty ratio,

T_{st} = time for shoot through,

T_{sw} = time for switching.

The relationships outlined above lead to the conclusion that altering M_z and shoot-through time can control \hat{V}_{os} .

Table 2: Overall Gain, Boosting Factor, Voltage Stress & Duty Ratio for Different Control Schemes

	MCBC
Boost factor	$\frac{1}{\sqrt{3}M_z - 1}$
Duty ratio	$\frac{2 - \sqrt{3}M_z}{2}$
Modulation index	$\frac{G_z}{\sqrt{3}G_z - 1}$
Voltage stress	$(\sqrt{3}G_z - 1) \cdot V_{is}$

4.0 Maximum Constant Boost Schemes (CBC) for Shoot Through Generation

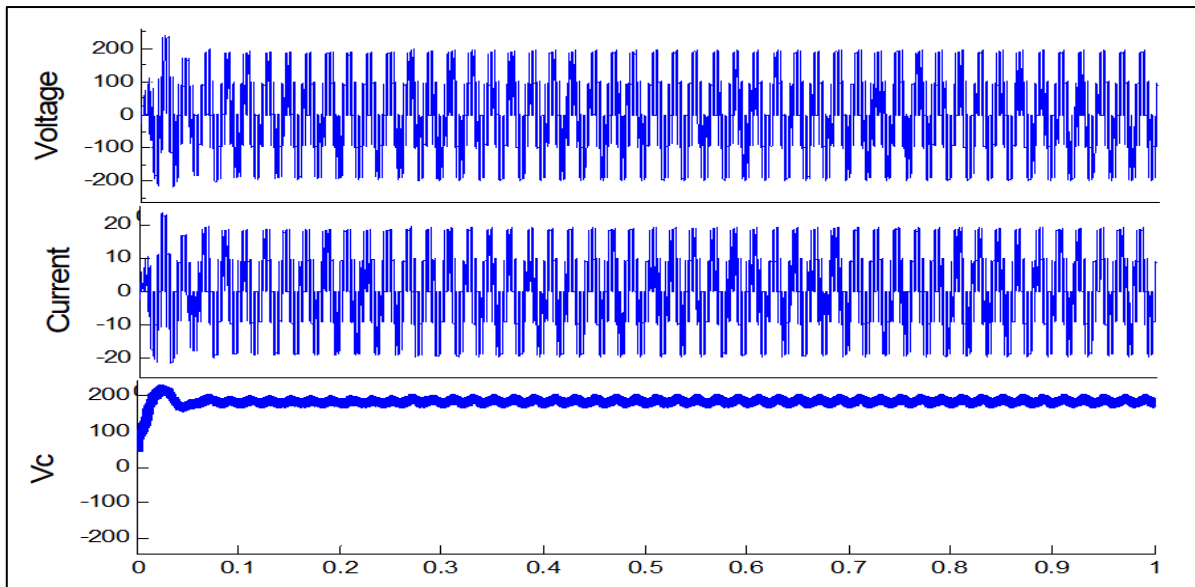
In MCBC, the majority of the blank states are used to provide ST, hence the width of the zone encircled by ST envelopes is maintained almost constant throughout the basic period to ensure maximal boosting and a stable ST duty cycle. ST envelope is created in an analogous manner by joining the lower peak curves of each sine wave. Rather than using straight lines, envelopes generated from the sine curves' peaks are utilised to generate shoot through, which transforms all of the null states into ST zero states without affecting the active states that are already present. Dz is kept constant in this fashion. Dz determines the boosting factor, yielding as in maximum constant boost. This method fixes the line frequency-related ripple issue, allowing for the use of smaller L & C.

5.0 Results

TAB.4. WHEN $V_{is} = 90V$ AND $M_z = 0.7$ KEPT CONSTANT

PWM method	V_c	V_{os}	V_{rms}
CBC	422.7	148	180.56

Figure: Voltage at the Output Side of ZSI



6.0 Conclusion

This study describes and illustrates the operation of a Z-source inverter with a modulation method using MATLAB modelling. ZSI output is influenced by modulation index and input voltage. Thus, while maintaining a fixed input voltage and modulation index, parametric fluctuations are investigated. Consequently, CBC proves to be the most effective modulation approach for producing the highest possible output AC voltage. Numerous factors, including the boosting factor (B_z), and the overall gain (G_z) and the modulation index (M_z), determine the ZSI's output. A constantly boosted output can be achieved through this method just by adjusting its modulation index and shoot-through intervals. In order to explore the aforementioned parametric fluctuations while maintaining constant input and output voltage levels, an appropriate modulation approach must first be identified.

References

- [1] http://www.cea.nic.in/reports/monthly/installedcapacity/2016/installed_capacity-03.pdf
- [2] https://en.wikipedia.org/wiki/Solar_power_in_India
- [3] Q. Li and P. Wolfs, "A Review of the Single Phase Photovoltaic Module Integrated Converter Topologies With Three Different DC Link Configurations," in *IEEE Transactions on Power Electronics*, vol. 23, no. 3, pp. 1320-1333, May 2008, doi: 10.1109/TPEL.2008.920883.
- [4] Giovanni Petrone, Giovanni Spagnuolo, "Maximum Power Point Tracking: algorithms and applications".
- [5] David Meneses, Frede Blaabjerg, Oscar Garcia and Jose A. Cobos, "Review and Comparison of Step-Up Transformerless Topologies for Photovoltaic AC-Module Application," *IEEE Trans. Power Electron.*, vol. 28, no. 6, June 2013.
- [6] http://cea.nic.in/reports/monthly/installedcapacity/2020/installed_capacity-06.pdf
- [7] <https://mnre.gov.in/solar/current-status/>
- [8] <https://www.ibef.org/industry/renewable-energy.aspx>
- [9] https://en.wikipedia.org/wiki/Renewable_energy_in_India
- [10] F.Z. Peng, "Z-source inverter", *IEEE Transactions on Industry Applications*, vol. 39, pp. 504-510, Mar-Apr 2003.
- [11] Miaosen Shen, *Student Member, IEEE*, Jin Wang, *Member, IEEE*, Alan Joseph, Fang Zheng Peng, *Fellow, IEEE*, Leon M. Tolbert, *Senior Member, IEEE*, and Donald J. Adams, *Member, IEEE*, "Constant boost control of Z-source inverter to minimize current ripples and voltage stress", *IEEE Transactions on Industry Applications*, vol. 42, no. 3, May/June 2006.

- [12] F. Z. Peng, M. Shen and Z. Qian, "Maximum boost control of the Z-source inverter," 2004 IEEE 35th Annual Power Electronics Specialists Conference (IEEE Cat. No.04CH37551), Aachen, Germany, 2004, pp. 255-260 Vol.1, doi: 10.1109/PESC.2004.1355751.

- [13] F. C. Melo, L. S. Garcia, L. C. de Freitas, E. A. A. Coelho, V. J. Farias and L. C. G. de Freitas, "Proposal of a Photovoltaic AC-Module With a Single-Stage Transformerless Grid-Connected Boost Microinverter," in IEEE Transactions on Industrial Electronics, vol. 65, no. 3, pp. 2289-2301, March 2018, doi: 10.1109/TIE.2017.2750611.

- [14] A. Abdelhakim, F. Blaabjerg and P. Mattavelli, "Modulation Schemes of the Three-Phase Impedance Source Inverters—Part I: Classification and Review," in IEEE Transactions on Industrial Electronics, vol. 65, no. 8, pp. 6309-6320, Aug. 2018, doi: 10.1109/TIE.2018.2793255.